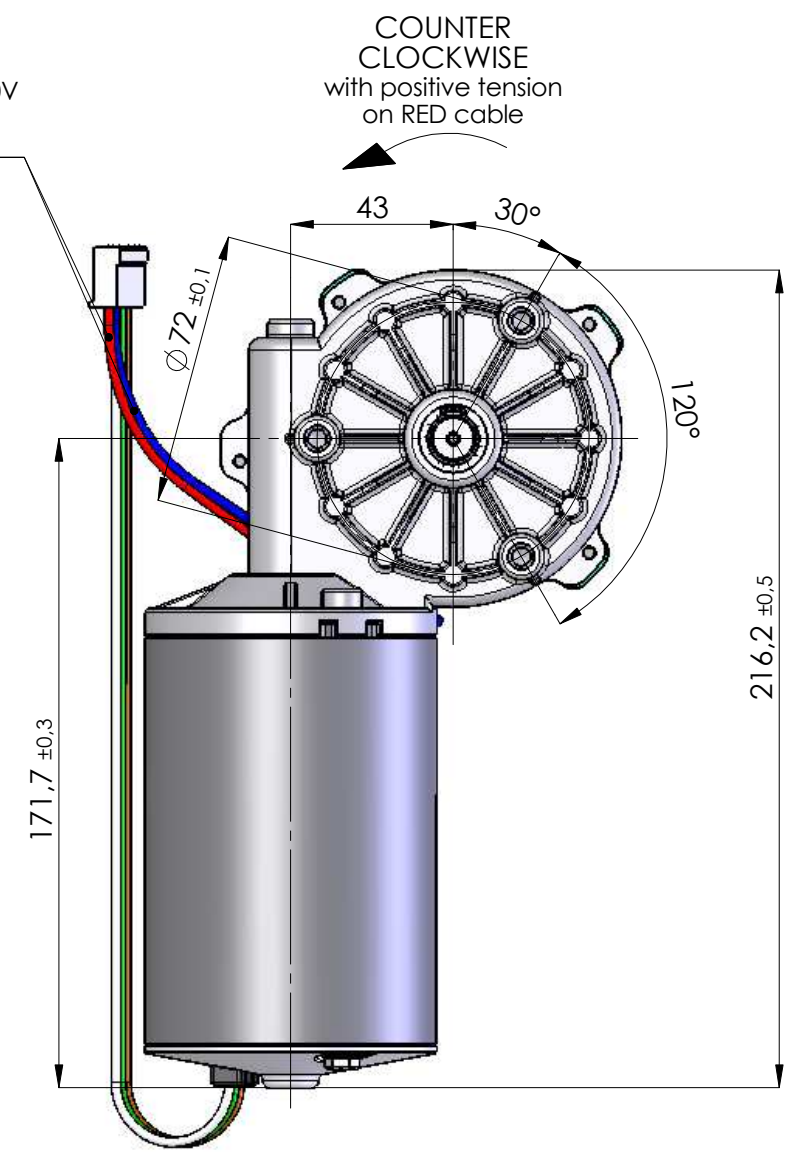
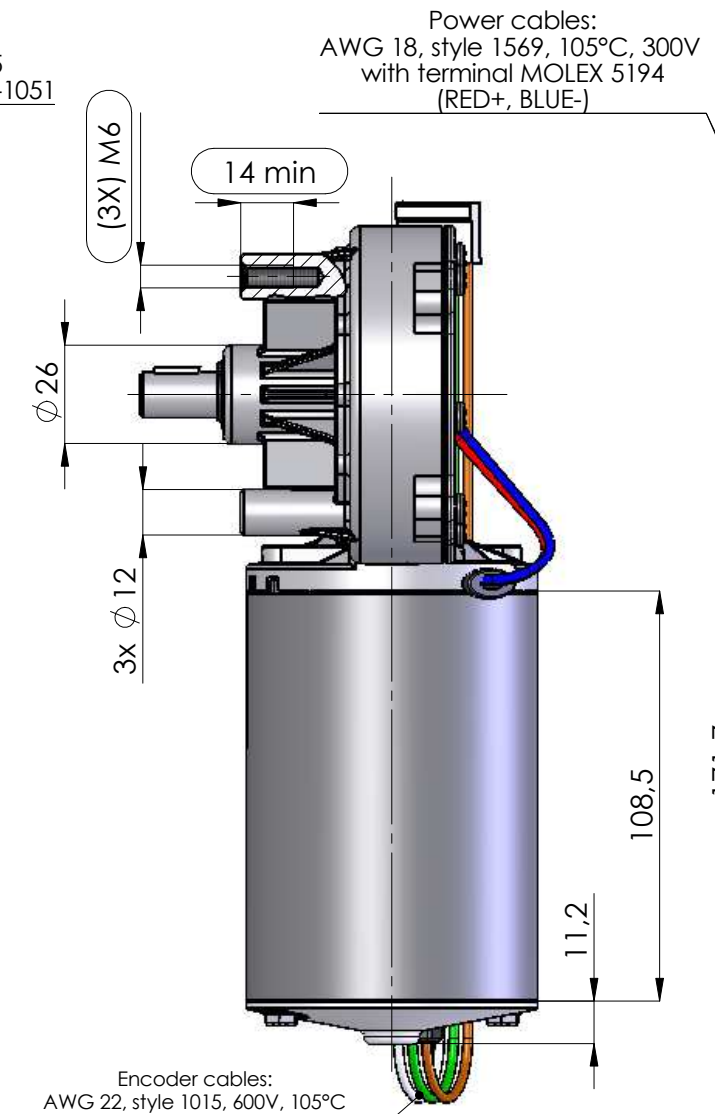
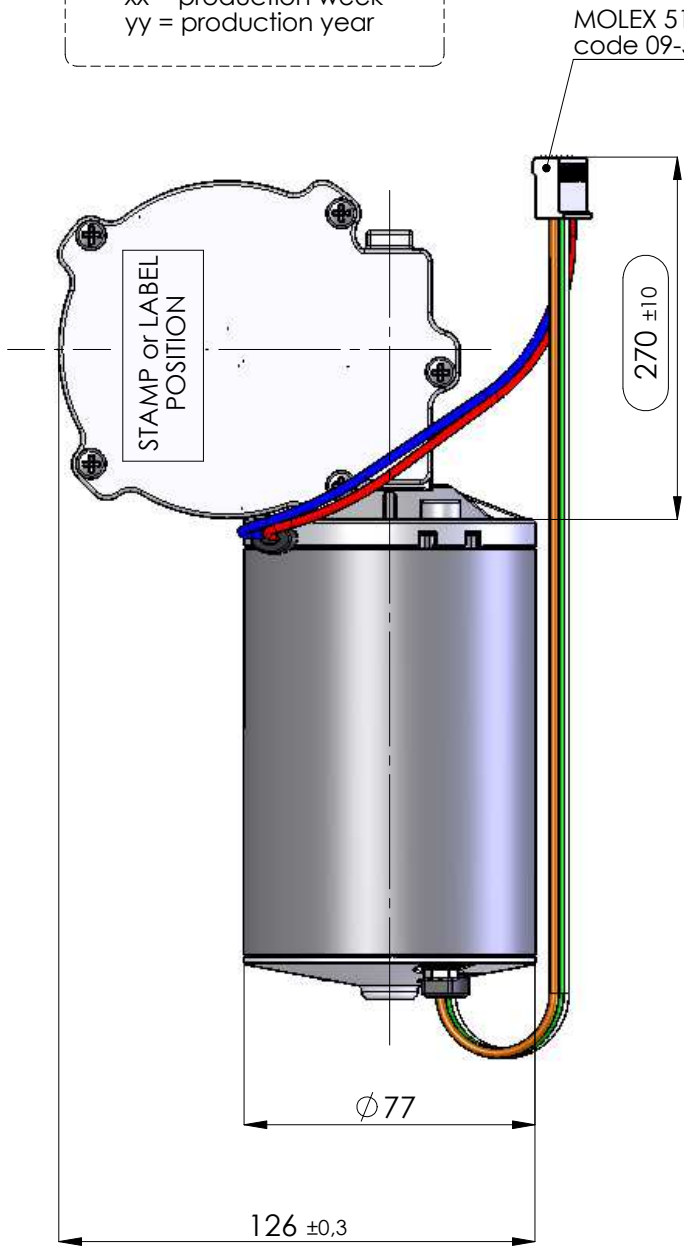
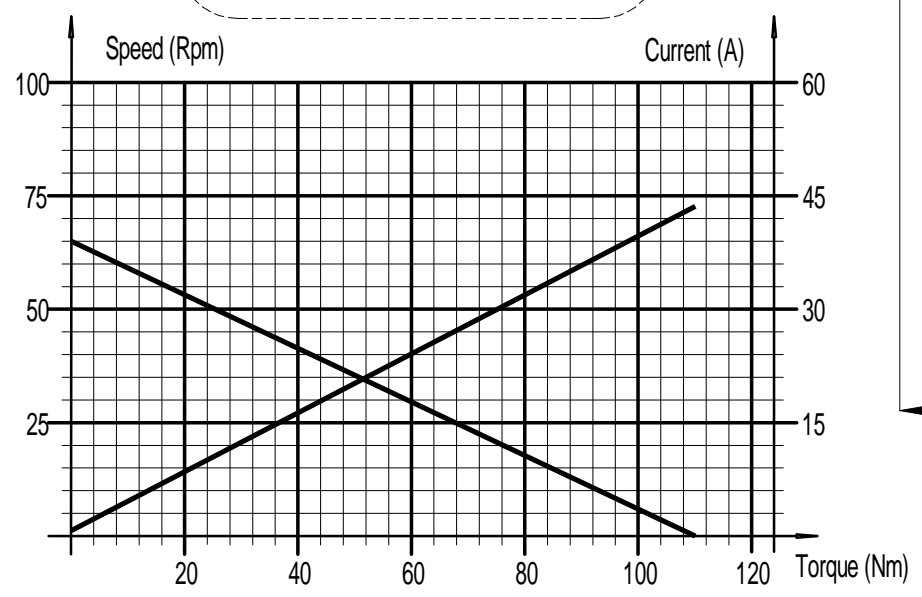
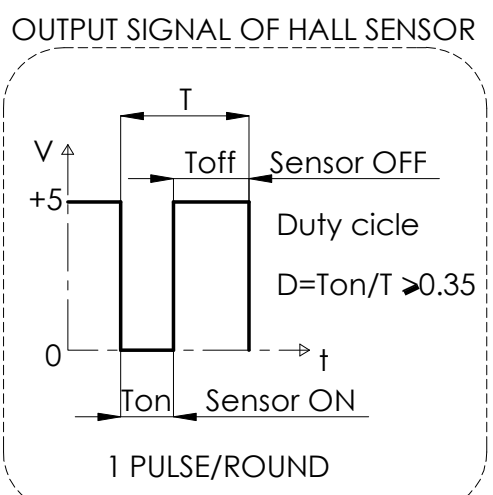


### STAMP or LABEL

Code 103.730 FCE  
24V Week xxyy

xx = production week  
yy = production year



R.d.M.	DATE	INDEX	MODIFICATION DESCRIPTION		
NOMINAL TENSION (V)		NO LOAD CURRENT (A)		SPEED (Rpm)	INSULATION CLASS : -
24		1.8 max.		65	PROTECTION CLASS : -
NOMINAL TORQUE (Nm)		STARTING TORQUE (Nm)		NOMINAL POWER (W)	WEIGHT: approx. 2.2 Kg
12.5		110		73	SCALE: 1:2
These are average values when the motor is cold. Divergences of ±10% are possible in the series					
PROJ. :	2305	DATE :	16.06.2015	DRAWER :	Vaccari
				CHECK :	
				APPROV. :	

**EC DECLARATION OF CONFORMITY FOR MACHINES (DIRECTIVE 2006/42/EC)**

**Manufacturer:** VDS AUTOMAZIONI srl  
**Address:** VIA CIRCOLARE PIP N. 10 65010 SPOLTRE (PE)

**Declares that:** Operator mod. 121884/S BASCULANTE 24V

is built to be integrated into a machine or to be assembled with other machinery to create a machine under the provisions of Directive 98/37/EC;

conforms to the essential safety requirements of the following EEC directives:

2006/95/EC Low Voltage Directive  
2004/108/EC Electromagnetic Compatibility Directive

and also declares that it is prohibited to put into service the machinery until the machine in which it will be integrated or of which it will become a component has been identified and declared as conforming to the conditions of Directive 2006/42/EEC and subsequent amendments.

July 3, 2018  
Technical director

